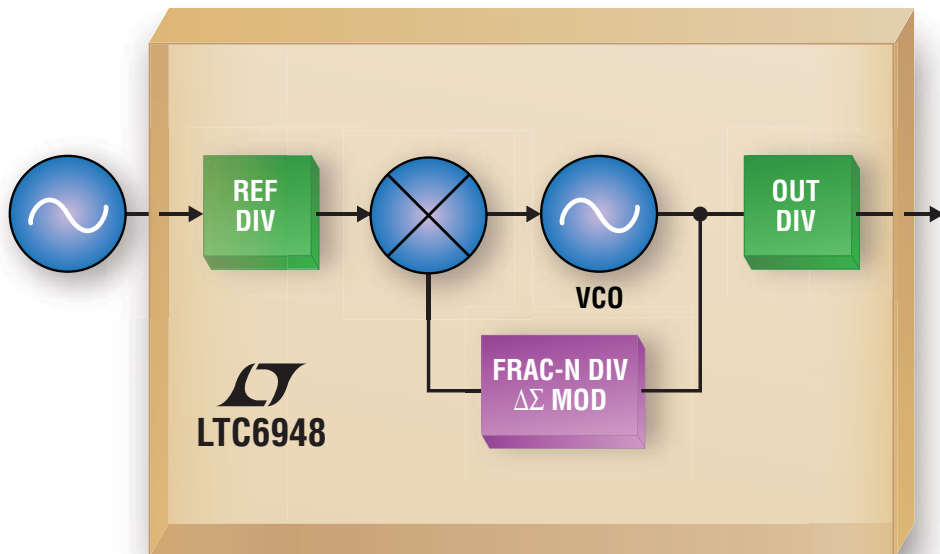


# Uncompromising Fractional-N Synthesizers



## 6GHz Fractional-N Frequency Synthesizers with Integer-N Spurious Performance

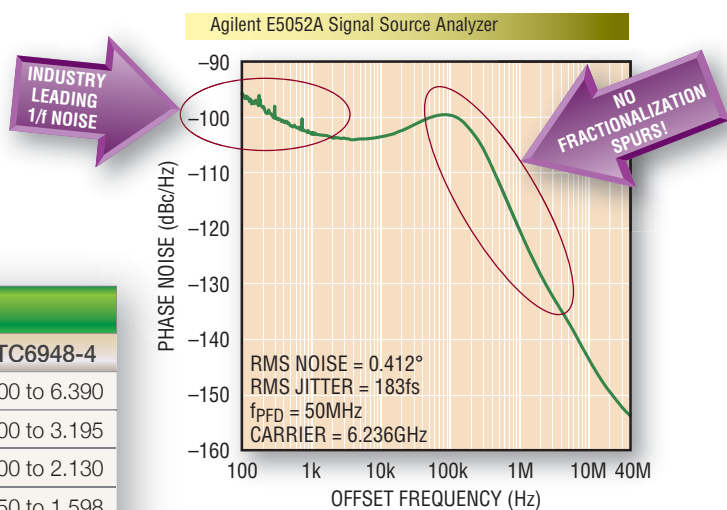
The LTC<sup>®</sup>6947 and LTC6948 set a new bar in fractional-N PLLs by offering all the benefits of fractionalization – from frequency agility to overall reduced in-band phase noise, but without the downsides of unpredictable spurs, delta-sigma modulator noise and design complexity. Design using the LTC6947 and LTC6948 is made easy with the use of FracNWizard™, a free CAD tool that accurately simulates synthesizer performance.

### Features

- Integrated VCO, up to 6.39GHz (LTC6948)
- 350MHz to 6GHz VCO Input Range (LTC6947)
- -226dBc/Hz Normalized In-Band Phase Noise Floor
- -274dBc/Hz Normalized In-Band 1/f Noise
- Excellent Spurious Performance
- Reference Input Frequency up to 425MHz
- Fast Frequency Switching (LTC6948)

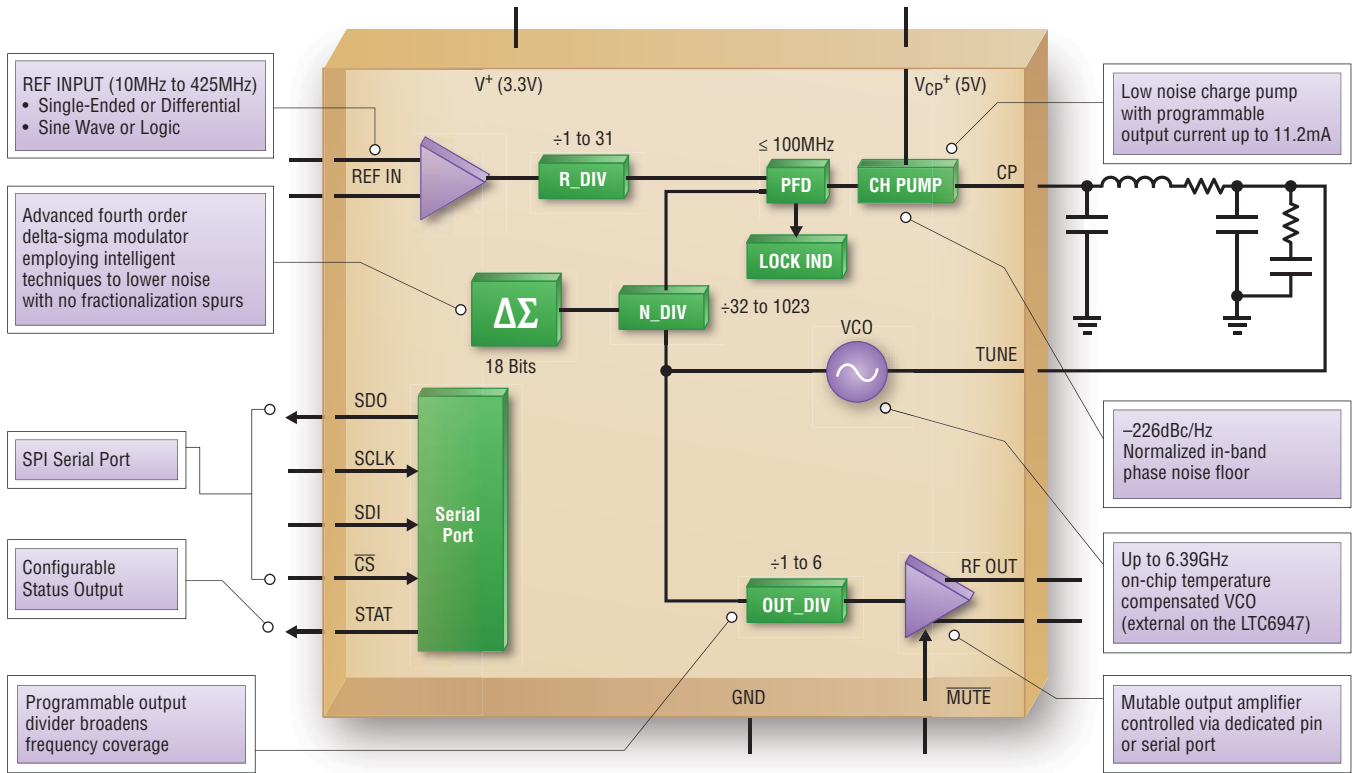
| Output Frequency Options ( Frequency in GHz) |                |                |                |                |
|--|----------------|----------------|----------------|----------------|
|  | LTC6948-1      | LTC6948-2      | LTC6948-3      | LTC6948-4      |
| OUT DIV = 1                                  | 2.240 to 3.740 | 3.080 to 4.910 | 3.840 to 5.790 | 4.200 to 6.390 |
| OUT DIV = 2                                  | 1.120 to 1.870 | 1.540 to 2.455 | 1.920 to 2.895 | 2.100 to 3.195 |
| OUT DIV = 3                                  | 0.747 to 1.247 | 1.027 to 1.637 | 1.280 to 1.930 | 1.400 to 2.130 |
| OUT DIV = 4                                  | 0.560 to 0.935 | 0.770 to 1.228 | 0.960 to 1.448 | 1.050 to 1.598 |
| OUT DIV = 5                                  | 0.448 to 0.748 | 0.616 to 0.982 | 0.768 to 1.158 | 0.840 to 1.278 |
| OUT DIV = 6                                  | 0.373 to 0.623 | 0.513 to 0.818 | 0.640 to 0.965 | 0.700 to 1.065 |

LTC6948-4 Phase Noise at 6.236GHz



LT, LT, LTC, LTM, Linear Technology and the Linear logo are registered trademarks and FracNWizard is a trademark of Linear Technology Corporation. All other trademarks are the property of their respective owners.

# LTC6948-X Block Diagram



## FracNWizard Tool Simplifies the Design Process

### Design Features

- Find Part Parameters Based on Your Frequency Plan
- Design Noise-Optimized Loop Filters
- Simulate Loop Frequency Response and Stability
- Simulate VCO and Reference Source Noise
- Simulate Output Noise Characteristics and Statistics
- Import and Export VCO, Reference and Output Noise Data

### Evaluation Features

- Read and Write All Device Registers
- Configure Using a Block Diagram Programming Interface
- Troubleshoot Common Setup Problems
- Receive Alerts Due to Programming Errors

